

EAR 90 - 115 A BIT PARALLEL - SSI SOLID SHAFT SINGLETURN ABSOLUTE ENCODER

MAIN FEATURES

Industry standard singleturn absolute encoder for factory automation applications.

- Optical sensor technology (proprietary OptoASIC)
- Resolution up to 25 bit
- Power supply up to +30 VDC with Bit Parallel or SSI as electrical interface
- Cable or connector output
- Solid shaft diameter up to 11 mm
- Mounting by synchronous or RE0-444 flange

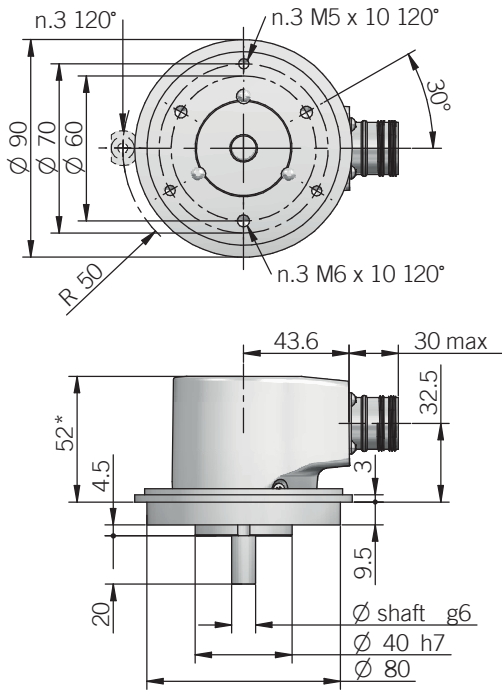


ORDERING CODE	EAR	90A	12	G	8/30	P	P	X	10	X	MA	R	.162	+XXX
SERIES singleturn absolute encoder	EAR													
MODEL synchronous flange ø 40 mm RE0-444 flange		90A 115A												
RESOLUTION bit from (multiples and submultiples of 360) ppr from			1 to 13 90 to 3600											
CODE TYPE binary gray (no powers of 2) binary offset code (0-XXX) (no powers of 2) gray offset code (0-XXX)				B G BC GC										
POWER SUPPLY 8 ... 30 V DC					8/30									
ELECTRICAL INTERFACE push-pull						P								
LOGIC negative positive							N P							
OPTIONS to be reported if not used latch with external input (with binary code) strobe reset with external input latch / reset with external inputs (with binary code) strobe / reset with external input								X L S ZE LZE SZE						
SHAFT DIAMETER (mod. 90) 3/8" - mm mm (mod. 115) mm									9.52 10 11					
ENCLOSURE RATING IP 65 shaft side / IP67 cover side IP 67									X S					
OUTPUT TYPE (without options) cable (standard length 1,5 m) cable (standard length 1,5 m) preferred cable lengths 2 / 3 / 5 / 10 m, to be added after DIRECTION TYPE (eg. PDR5) (without reset option) 19 pin MIL plug connector										PD PE MA				
DIRECTION TYPE radial											R			
SOCKET socket not included												.162		
to be reported only with connector output (eg. MAR.162), for socket see Accessories														
VARIANT custom version													XXX	

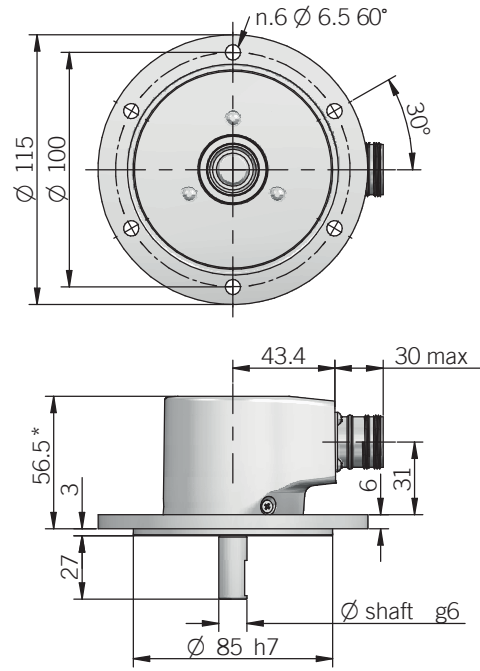
ORDERING CODE	EAR	90A	13	G	8/30	S	X	2048	RS	10	X	HA	R	.162	+XXX
SERIES singleturn absolute encoder EAR															
MODEL synchronous flange ø 40 mm 90A RE0-444 flange 115A															
RESOLUTION bit 13 / 16 / 17 / 18 / 21 / 25 ppr 360 / 720 / 1440 / 2880 / 3600															
CODE TYPE binary B gray G (no powers of 2) binary offset code (0-XXX) BC (no powers of 2) gray offset code (0-XXX) GC															
POWER SUPPLY 8 ... 30 V DC 8/30															
ELECTRICAL INTERFACE Serial Synchronous Interface - SSI S															
OPTION to be reported if not used X reset with external input ZE reset on cover or with external input ZP															
INCREMENTAL RESOLUTION (powers of 2) ppr from 128 to 8192															
INCREMENTAL ELECTRICAL INTERFACE available with PC or HA output type line driver HTL L push pull P line driver RS-422 RS															
SHAFT DIAMETER (mod. 90) 3/8" - mm 9,52 mm 10 (mod. 115) mm 11															
ENCLOSURE RATING IP 65 shaft side / IP67 cover side X IP 67 S															
OUTPUT TYPE cable (standard length 1,5 m) PC preferred cable lengths 2 / 3 / 5 / 10 m, to be added after DIRECTION TYPE (eg. PCR5) cable (standard length 1,5 m) PD preferred cable lengths 2 / 3 / 5 / 10 m, to be added after DIRECTION TYPE (eg. PCR5) (without reset option) 7 pin MIL plug connector MC (with reset option) 10 pin MIL plug connector MD 12 pin M23 plug connector HA 8 pin M12 plug connector M12															
DIRECTION TYPE radial R															
SOCKET socket not included .162 to be reported only with connector output (eg. HAR.162), for socket see Accessories															
VARIANT custom version XXX															

to be added with incremental output

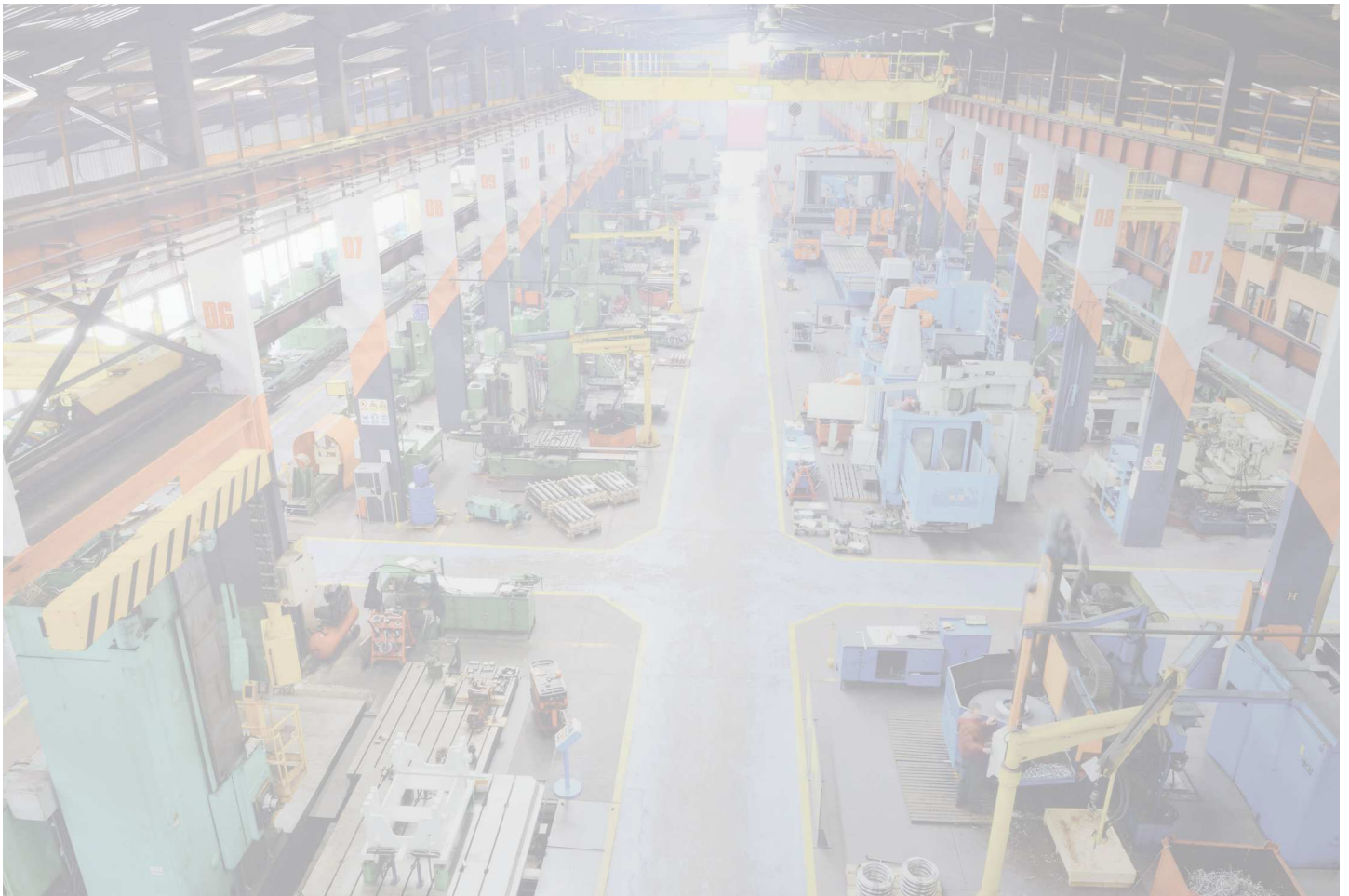
90A



115A



for fixing clamps please refer to Accessories
 * with option ZP +1,5 mm
 recommended mating shaft tolerance H7
 dimensions in mm



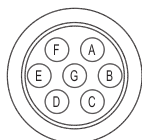
BIT PARALLEL CONNECTIONS

Function	Binary / Gray	Cable PD	Cable PE	19 pin MA
bit 1 (LSB)	B ⁰ / G ⁰	green	green	A
bit 2	B ¹ / G ¹	yellow	yellow	B
bit 3	B ² / G ²	blue	blue	C
bit 4	B ³ / G ³	brown	brown	D
bit 5	B ⁴ / G ⁴	orange or pink	orange or pink	E
bit 6	B ⁵ / G ⁵	white	white	F
bit 7	B ⁶ / G ⁶	grey	grey	G
bit 8	B ⁷ / G ⁷	purple	purple	H
bit 9	B ⁸ / G ⁸	grey / pink	grey / pink	J
bit 10	B ⁹ / G ⁹	white / green	white / green	K
bit 11	B ¹⁰ / G ¹⁰	brown / green	brown / green	L
bit 12	B ¹¹ / G ¹¹	white / yellow	white / yellow	M
bit 13	B ¹² / G ¹²	yellow / brown	yellow / brown	N
STROBE	/	/	green / blue	P
LATCH	/	/	yellow / grey	R
0 V	/	black	black	T
U / D	/	red / blue	red / blue	U
RESET	/	/	pink / green	/
+ V DC	/	red	red	V
⊥	/	shield	shield	S

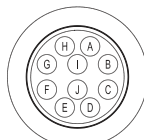
SSI CONNECTIONS

Function	Cable PC	Cable PD	7 pin MC	10 pin MD	12 pin HA	12 pin HA	8 pin M12
+ V DC	red	red	G	G	8	8	8
0 V	black	black	F	F	1	1	5
DATA +	green	green	C	C	2	2	3
DATA -	brown	brown	D	D	10	10	2
CLOCK +	yellow	yellow	A	A	3	3	4
CLOCK -	orange or pink	orange or pink	B	B	11	11	6
A+	/	grey	/	/	/	6	/
A-	/	blue	/	/	/	7	/
B+	/	purple	/	/	/	9	/
B-	/	white / green	/	/	/	12	/
U / D	red / blue	red / blue	E	E	5	5	7
RESET	white	white	/	H	4	4	1
⊥	shield	shield	housing	housing	9	housing	housing

MC connector (7 pin)
Amphenol MS3102-E-16-S
front view



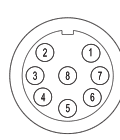
MD connector (10 pin)
Amphenol MS3102-E-18-1P
front view



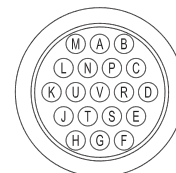
HA connector (12 pin) - M23 CCW
Hummel 7.410.000000 - 7.002.912.603
front view



M12 connector (8 pin)
M12 A coded
front view



MA connector (19 pin)
Amphenol 621N 12E 14-19 P
front view



ELECTRICAL SPECIFICATIONS

Resolution	P = from 90 ppr to 13 bit S = from 360 ppr to 25 bit
Power supply¹	7,6 ... 30 V DC (reverse polarity protection)
Power draw without load	< 1 W
Max load current	20 mA / channel
Absolute electrical interface²	P = push pull (iC-DL) S = RS-422 (THVD1451 or similar)
Incremental electrical interface²	L = HTL differential (AEIC-7272 or similar) P = Push-Pull (AEIC-7272 or similar) RS = RS-422 (AELT-5000 or similar)
Max incremental output frequency	128 kHz
Auxiliary inputs (U/D - RESET - LATCH)	active high (+V DC) connect to 0 V if not used / RESET - LATCH t_{min} 150 ms
Max frequency	50 kHz LSB (Bit Parallel) clock input 100 kHz ... 1 MHz (SSI)
Code type	binary or gray
Logic	SSI = positive Bit parallel = positive or negative
SSI monostable time (Tm)	20 μ s
SSI pause time (Tp)	> 35 μ s
SSI frame	left aligned format MSB ... LSB up to 13 bit = length 13 bit from 14 to 21 bit = length 21 bit from 22 to 25 bit = length 25 bit
SSI status and parity bit	on request
Counting direction	decreasing clockwise (shaft view)
Start-up time	700 ms
Accuracy	$\pm 0,069^\circ$
Mean time to dangerous failure (MTTF)³ according to EN ISO 13849-1	173 years with BIT PARALLEL output 214 years with SSI/INCREMENTAL output
Mission time (Tm)³	20 years
Diagnostic coverage (DC)³	0%
Cable type PC	shielded - fixed installation conductors section 0,22 mm ² / AWG 24 bending radius min 60 mm
Cable type PD	shielded - fixed installation conductors section 0,14 mm ² / AWG 26 bending radius min 50 mm
Cable type PE	shielded - fixed installation conductors section 0,14 mm ² / AWG 26 bending radius min 50 mm
Electromagnetic compatibility	according to 2014/30/EU directive
RoHS	according to 2011/65/EU directive
UL / CSA	file n. E212495

MECHANICAL SPECIFICATIONS

Shaft diameter	\varnothing 9,52 (3/8") / 10 / 11 mm
Enclosure rating IEC 60529	X = IP 65 shaft side / IP67 cover side S = IP 67
Max rotation speed	see table
Max shaft load⁴	200 N (45 lbs) axial / 70 N (15,74 lbs) radial
Shock	50 G, 11 ms (IEC 60068-2-27)
Vibration	10 G, 10 ... 2000 Hz (IEC 60068-2-6)
Moment of inertia	1,5 x 10 ⁻⁶ kgm ² (36 x 10 ⁻⁶ lbf ²)
Starting torque (at +20°C / +68°F)	< 0,03 Nm (4,25 Ozin)
Bearing stage material	aluminum
Shaft material	stainless steel
Housing material	painted aluminium
Bearings	n.2 ball bearings
Bearings life	10 ⁹ revolutions
Operating temperature Bit parallel^{5, 6}	-20° ... +85°C (-4 ... +185°F)
Operating temperature SSI^{5, 6}	-40° ... +100°C (-40° ... +212°F) -20° ... +100°C (-4° ... +212°F) with PC cable output -20° ... +85°C (-4° ... +185°F) with PD cable output -25° ... +85°C (-13° ... +185°F) with M12 connector
Storage temperature⁶	-20° ... +85°C (-4° ... +185°F)
Weight	approx 300 g (10,58 oz)

¹ as measured at the transducer without cable influences
² for further details refer to OUTPUT LEVELS on TECHNICAL BASICS section
³ this product is not a safety component, for further details refer to TECHNICAL BASICS section
⁴ maximum load for static usage
⁵ measured on the transducer flange
⁶ condensation not allowed

ROTATION SPEED DERATING TABLE

Temperature °C (°F)	Max speed (rpm)	Max continuous speed (rpm)
up to +70 (+158)	10000	8000
+70 ... +85 (+158 ... +185)	8000	5000
+85 ... +100 (+185 ... +212)	5000	3000

SSI SCHEMATICS

