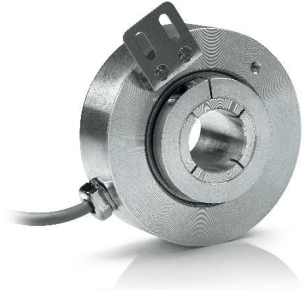


MAIN FEATURES

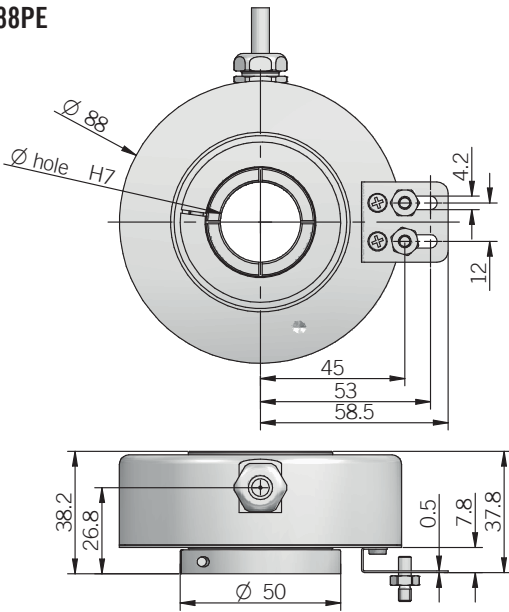
Cost effective encoder for asynchronous motors, suitable for elevators and stage machinery.

- 3 channel encoder (A / B / Z) up to 2500 ppr
- Power supply up to +28 V DC with several electrical interfaces available
- Up to 105 kHz output frequency
- Cable output, connectors available on cable end
- Sturdy mechanic
- Up to 40 mm bore diameter
- Shaft fixing by collar clamping



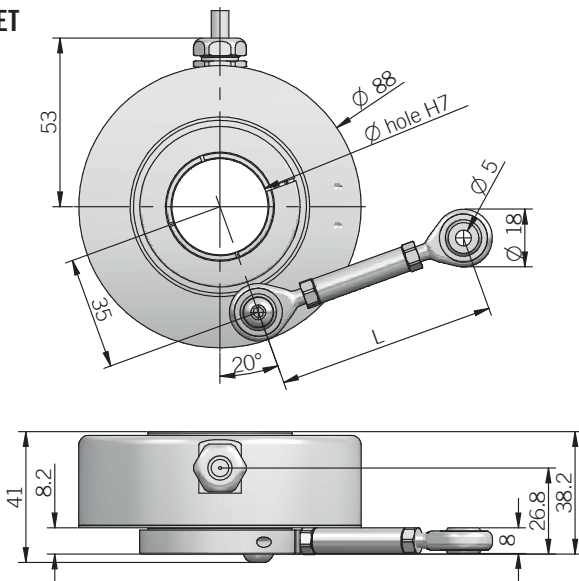
ORDERING CODE	EH	88PE	1024	S	5/28	P	30	X	3	PR	.XXX
SERIES incremental encoder series EH											
MODEL through hollow shaft with torque stop slot 88PE through hollow shaft for torque arm fixing 88PET please refer to Accessories for torque arm											
RESOLUTION ppr from 500 to 2500 refer to the available pulses list											
ZERO PULSE without zero pulse S with zero pulse Z											
POWER SUPPLY (with L electrical interface) 5 V DC 5 5 ... 28 V DC 5/28											
ELECTRICAL INTERFACE push-pull P line driver L power supply 5/28 V DC - output RS-422 RS											
BORE DIAMETER mm 25 mm 30 (mod. PE) mm 35 (mod. PE) mm 38 (mod. PE) mm 40											
ENCLOSURE RATING IP 54 X											
MAX ROTATION SPEED 3000 rpm 3											
OUTPUT TYPE radial cable (standard length 0,5 m) PR preferred cable lengths 1,5 / 2 / 3 / 5 / 10 m, to be added after OUTPUT TYPE (eg. PR5)											
VARIANT custom version XXX											

88PE



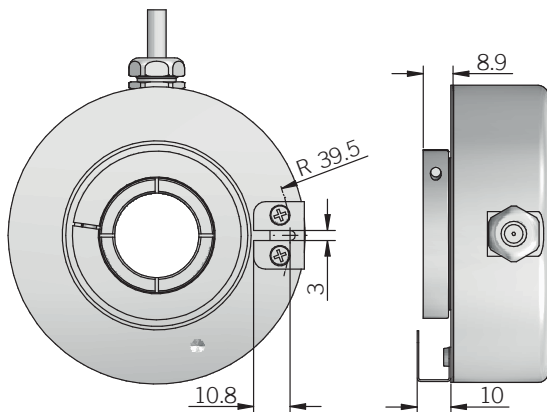
for torque pin please refer to Accessories

88PET



torque arm not included, please refer to Accessories

OPTIONAL TORQUE STOP SLOT



for torque stop slot and torque pin please refer to Accessories

recommended mating shaft tolerance g6
dimensions in mm

ELECTRICAL SPECIFICATIONS

Resolution	from 500 to 2500 ppr
Power supply¹	5 = 4,5 ... 5,5 V DC 5/28 = 4,5 ... 30 V DC (reverse polarity protection)
Power draw without load	800 mW
Max load current	20 mA / channel
Electrical interface²	push-pull / line driver HTL (AEIC-7272 or similar) line driver RS-422 (AELT-5000 or similar)
Max output frequency	105 kHz
Counting direction	A leads B clockwise (shaft view)
Index signal	90°e (gated A&B)
Mean time to dangerous failure (MTTF)_d³ according to EN ISO 13849-1	220 years
Mission time (T_m)³	20 years
Diagnostic coverage (DC)³	0%
Cable type	shielded - fixed installation conductors section 0,22 mm ² / AWG 24 bending radius min 60 mm
Electromagnetic compatibility	according to 2014/30/EU directive
RoHS	according to 2011/65/EU directive
UL / CSA	file n. E212495

MECHANICAL SPECIFICATIONS

Bore diameter	ø 25 / 30 / 35 / 38 / 40 mm
Enclosure rating	IP 54 (IEC 60529)
Max rotation speed	3000 rpm
Shock	50 G, 11 ms (IEC 60068-2-27)
Vibration	10 G, 10 ... 2000 Hz (IEC 60068-2-6)
Moment of inertia	45 x 10 ⁻⁶ kgm ² (10,68 x 10 ⁻⁴ lbf ²)
Starting torque (at +20°C / +68°F)	< 0,02 Nm (2,83 Ozin)
Bearing stage material	aluminum
Shaft material	up to ø 38 mm aluminum ø 40 mm stainless steel
Housing material	aluminum
Bearings	n.2 ball bearings
Bearings life	10 ⁹ revolutions
Operating temperature^{4,5}	-30° ... +85°C (-22° ... +185°F)
Storage temperature⁵	-30° ... +85°C (-22° ... +185°F)
Weight	350 g (12,35 oz)

¹ as measured at the transducer without cable influences

² for further details refer to OUTPUT LEVELS on TECHNICAL BASICS section

³ this product is not a safety component, for further details refer to TECHNICAL BASICS section

⁴ measured on the transducer flange

⁵ condensation not allowed

CONNECTIONS

Function	Cable P	Cable L / RS
+V DC	red	red
0 V	black	black
A+	green	green
A-	/	brown or grey
B+	yellow	yellow
B-	/	orange
Z+	blue	blue
Z-	/	white
⊖	shield	shield

RESOLUTIONS

500 - 512 - 720 - 1000 - 1024 - 1440 - 2500

please directly contact our offices for other pulses, preferred resolutions in bold