

EAL 58 B / C - 63 A / D / E ANALOGUE SOLID SHAFT SINGLETURN ABSOLUTE ENCODER

MAIN FEATURES

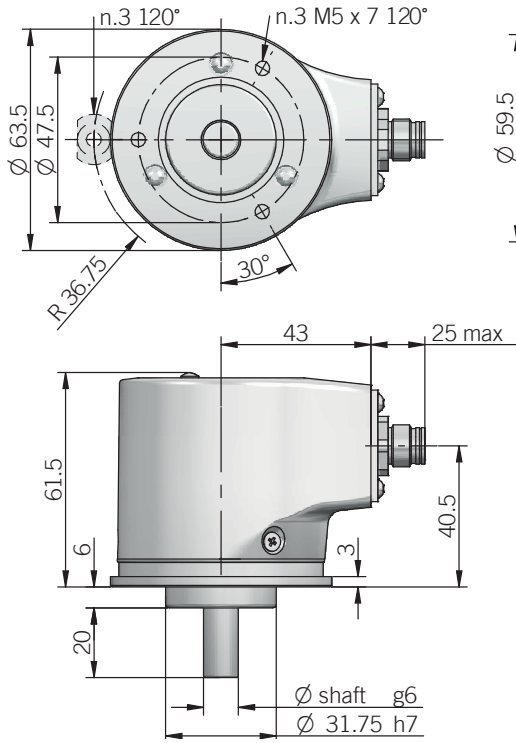
Industry standard singleturn absolute encoder for factory automation applications.

- Optical sensor technology (OptoASIC)
- Programmable measuring range via teach-in function (external inputs or cover button)
- Power supply up to +30 VDC with analogue (voltage or current) electrical interface
- Cable or M12 connector output
- Solid shaft diameter up to 10 mm
- Mounting by synchronous, clamping or centering 2,5" square flange



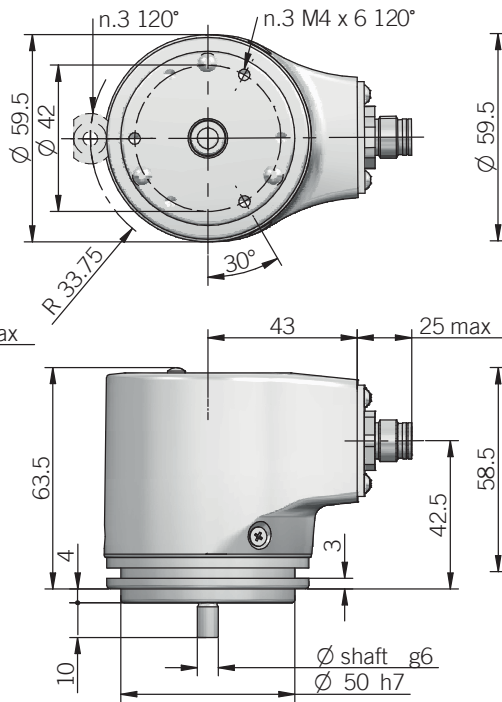
ORDERING CODE	EAL	63A	16B	12/30	V	05	X	10	X	M12	R	.162	+XXX
SERIES analogue singleturn absolute encoder EAL													
MODEL synchronous flange ø 31.75 mm 63A synchronous flange ø 50 mm 58B clamping flange ø 36 mm 58C centering square flange ø 31.75 mm 63D centering square flange ø 50 mm 63E													
OUTPUT DAC RESOLUTION 16 bit 16B													
POWER SUPPLY 12 ... 30 V DC 12/30													
ELECTRICAL INTERFACE voltage V current I													
OUTPUT RANGE 0 ... 5 V 05 0 ... 10 V 010 0 ... 20 mA 020 4 ... 20 mA 420													
OPTIONS to be reported with voltage output / 3 wires current output X 4 wires current output Q													
SHAFT DIAMETER (mod. 58 B) mm 6 (mod. 63 A / D) 3/8" - mm 9,52 (mod. 58 C - 63 A / D / E) mm 10													
ENCLOSURE RATING IP 65 shaft side / IP67 cover side X IP 67 S													
OUTPUT TYPE cable (standard length 1,5 m) P preferred cable lengths 2 / 3 / 5 / 10 m, to be added after DIRECTION TYPE (eg. PR5) M12 plug connector M12													
DIRECTION TYPE radial R													
SOCKET socket not included .162 to be reported only with connector output (eg. M12R.162), for socket see Accessories													
VARIANT custom version XXX													

63A



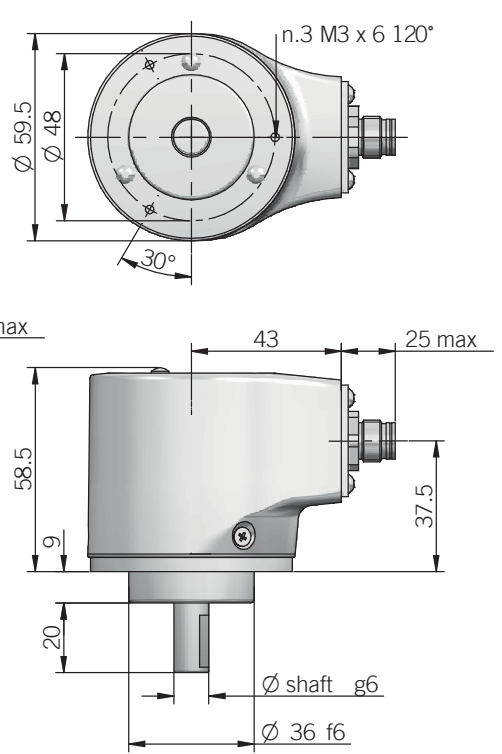
for fixing clamps please refer to Accessories

58B

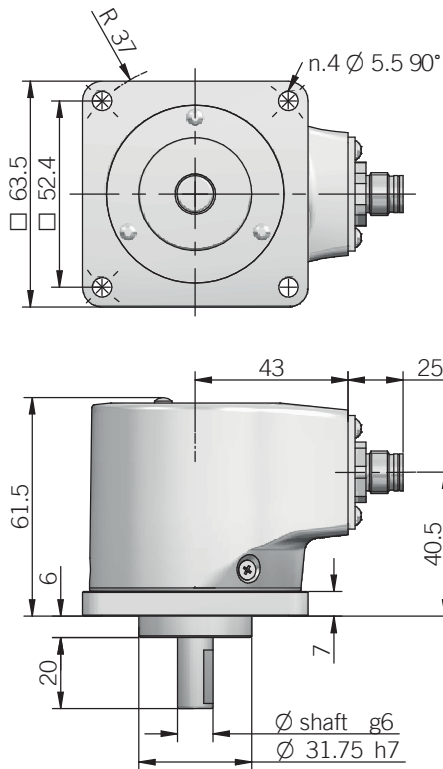


for fixing clamps please refer to Accessories

58C

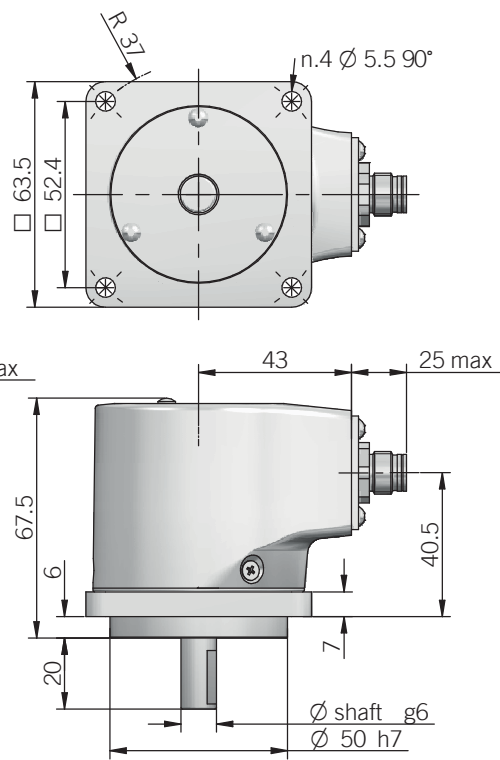


63D



recommended mating shaft tolerance H7
dimensions in mm

63E



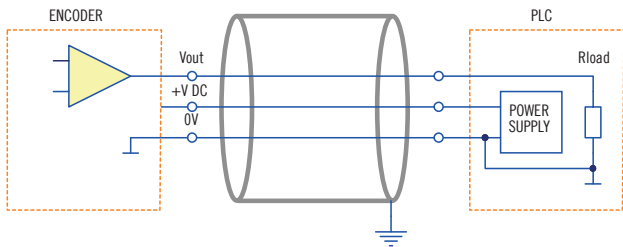
ELECTRICAL SPECIFICATIONS	
Resolution	16 bit
Output DAC resolution	16 bit
Minimum angle	22,5°
Power supply ¹	11,4 ... 30 V DC (reverse polarity protection)
Power draw without load	< 1 W
Electrical interface ²	voltage (0 ... 5 V / 0 ... 10 V) current (0 ... 20 mA / 4 ... 20 mA)
Auxiliary inputs (BEGIN - END)	active high (+V DC) connect to 0 V if not used / t_{min} 150 ms
Load	R _{min} = 1 kΩ (voltage output) R _{max} = (V DC - 2) / 0,02 (current output)
Output update frequency	16 kHz
Signal pattern	auto teaching according to commissioning
Start-up time	700 ms
Linearity error	± 0,069°
Mean time to dangerous failure (MTTF _d) ³ according to EN ISO 13849-1	215 years
Mission time (T _m) ³	20 years
Diagnostic coverage (DC) ³	0%
Cable type	shielded - fixed installation conductors section 0,22 mm ² / AWG 24 bending radius min 60 mm
Electromagnetic compatibility	according to 2014/30/EU directive
RoHS	according to 2011/65/EU directive
UL / CSA	file n. E212495

MECHANICAL SPECIFICATIONS	
Shaft diameter	∅ 6 / 9,52 (3/8") / 10 mm
Enclosure rating IEC 60529	X = IP 65 shaft side / IP67 cover side S = IP 67
Max rotation speed	see table
Max shaft load ⁴	200 N (45 lbs) axial / 70 N (15,74 lbs) radial
Shock	50 G, 11 ms (IEC 60068-2-27)
Vibration	10 G, 10 ... 2000 Hz (IEC 60068-2-6)
Moment of inertia	1,5 x 10 ⁻⁶ kgm ² (36 x 10 ⁻⁶ lbf ²)
Starting torque (at +20°C / +68°F)	< 0,03 Nm (4,25 Ozin)
Bearing stage material	aluminum
Shaft material	stainless steel
Housing material	painted aluminium
Bearings	n.2 ball bearings
Bearings life	10 ⁹ revolutions
Operating temperature ^{5, 6}	-20° ... +85°C (-4° ... +185°F)
Storage temperature ⁶	-20° ... +85°C (-4° ... +185°F)
Weight	approx 350 g (12,35 oz)

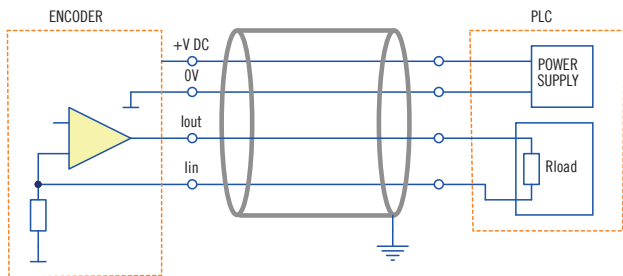
¹ as measured at the transducer without cable influences
² for further details refer to OUTPUT LEVELS on TECHNICAL BASICS section
³ this product is not a safety component, for further details refer to TECHNICAL BASICS section
⁴ maximum load for static usage
⁵ measured on the transducer flange
⁶ condensation not allowed

ELECTRICAL INTERFACE

VOLTAGE OUTPUT



CURRENT OUTPUT



3 / 4 wire source
with 3 wires interface lin is internally connected to 0V

ROTATION SPEED / TEMPERATURE TABLE

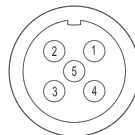
Temperature °C (°F)	Max speed (rpm)	Max continuous speed (rpm)
up to +70 (+158)	10000	8000
+70 ... +85 (+158 ... +185)	8000	5000

CONNECTIONS

Function	Cable	5 pin M12	8 pin M12*
+ V DC	red	2	2
0 V	black	3	3
Vout / Iout	green	1	1
lin	yellow	/	6
BEGIN	white	4	4
END	brown or grey	5	5
⊥	shield	housing	housing

* with Q current output

M12 connector (5 pin)
M12 A coded front view



M12 connector (8 pin)
M12 A coded front view

