

MAIN FEATURES

Industry standard multiturn absolute encoder for factory automation applications.

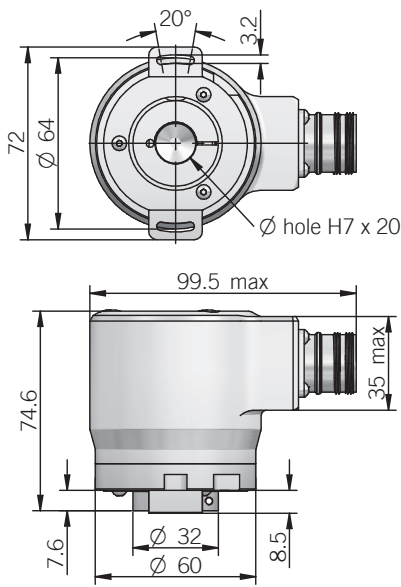
- Optical sensor technology (OptoASIC + gears)
- Resolution up to 27 bit (13 bit single turn (8192 ppr) + 14 bit multiturn (16384 turns))
- Power supply up to +28 V DC with Bit Parallel or SSI as electrical interface
- Cable or connector output
- Blind hollow shaft diameter up to 15 mm
- Mounting by stator coupling, spring or torque pin



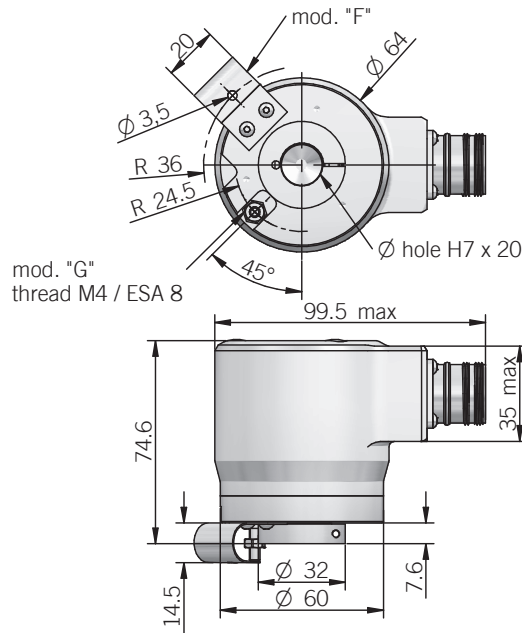
ORDERING CODE	EAM	63G	R	4096 / 4096	G	8/28	P	P	X	8	X	3	PD	R	.XXX
SERIES multiturn absolute encoder	EAM														
MODEL blind hollow shaft with stator coupling blind hollow shaft with spring blind hollow shaft with torque pin	58F 63F 63G														
		rev. 2.0	R												
MULTITURN RESOLUTION (powers of 2) from	2	to	16384	turns											
SINGLETURN RESOLUTION (powers of 2) ppr from	2	to	8192												
CODE TYPE binary gray	B G														
POWER SUPPLY 8 ... 28 V DC	8/28														
ELECTRICAL INTERFACE push-pull	P														
LOGIC negative positive	N P														
OPTIONS latch to be reported if not used	L X														
BORE DIAMETER mm (3/8")	8 9,52 9 10 12 14 15														
ENCLOSURE RATING IP 54	X														
MAX ROTATION SPEED 3000 rpm	3														
OUTPUT TYPE (up to 13 bit as total resolution) 16 cores cable (standard length 1,5 m) (from 14 to 27 bit as total resolution or with latch option) 32 cores cable (standard length 1,5 m) (up to 13 bit as total resolution) 19 pin MIL connector (from 14 to 27 bit as total resolution) 32 pin MIL connector female connector included, without female please add 162 as variant code	PD PE MA ME														
DIRECTION TYPE axial radial	A R														
VARIANT custom version	XXX														

ORDERING CODE	EAM	63G	R	4096 / 4096	G	8/28	S	X	X	8	X	3	PC	R	.XXX
SERIES multiturn absolute encoder EAM															
MODEL blind hollow shaft with stator coupling 58F blind hollow shaft with spring 63F blind hollow shaft with torque pin 63G															
rev. 2.0 R															
MULTITURN RESOLUTION (powers of 2) from 2 to 16384 turns															
SINGLETURN RESOLUTION ppr 4096 / 8192															
CODE TYPE binary B gray G															
POWER SUPPLY 8 ... 28 V DC 8/28															
ELECTRICAL INTERFACE Serial Synchronous Interface - SSI S															
LOGIC to be reported X															
OPTIONS to be reported X															
BORE DIAMETER mm 8 (3/8") 9,52 mm 9 mm 10 mm 12 mm 14 mm 15															
ENCLOSURE RATING IP 54 X															
MAX ROTATION SPEED 3000 rpm 3															
OUTPUT TYPE cable (standard length 1,5 m) PC 7 pin MIL connector MC 12 pin M23 connector HA 8 pin M12 connector M12 female connector included, without female please add 162 as variant code															
DIRECTION TYPE axial A radial R															
VARIANT custom version XXX															

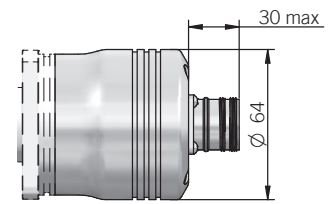
58 F



63 F - G



Dimensions with axial output



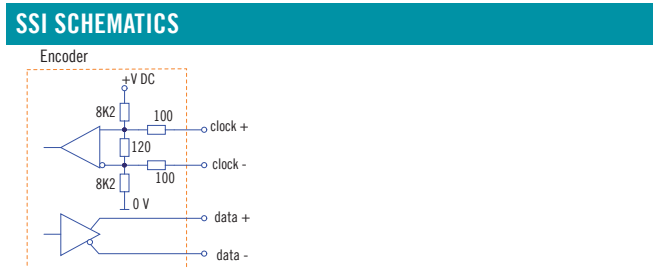
torque pin is included in model G, for mounting instruction please refer to product installation notes

dimensions in mm

ELECTRICAL SPECIFICATIONS	
Multiturn resolution	from 2 to 16384 turns
Singleturn resolution	from 2 to 8192 ppr
Power supply	7,6 ... 29,4 V DC
Current consumption without load	100 mA
Max load current	20 mA / channel
Output type*	P = push-pull (iC-HD2) S = RS-422 (LTC1690 or equivalent)
Auxiliary inputs (U/D - Latch)	active high (+V DC) connect to 0 V if not used
Max frequency	output: 25 kHz LSB (Bit Parallel) clock input: 100 kHz ... 1 MHz (SSI)
SSI monostable time (Tm)	18 μs
SSI pause time (Tp)	> 35 μs
SSI frame	Tree format (MSB ... LSB) up to 12 bit multiturn = length 25 bit (12MT + 13ST) 13 to 14 bit multiturn = length 27 bit (14MT + 13ST)
Accuracy	± 1/2 LSB
Counting direction	decreasing clockwise (shaft view)
Start-up time	150 ms
Electromagnetic compatibility	according to 2014/30/EU directive
RoHS	according to 2011/65/EU directive
UL / CSA	certificate n. E212495

* for further details please see OUTPUT LEVELS under TECHNICAL BASICS section

MECHANICAL SPECIFICATIONS	
Shaft diameter	∅ 8* / 9* / 10* / 12* / 14 / 15 mm * with supplied adapter shaft
Enclosure rating	IP 54 (IEC 60529)
Max rotation speed	3000 rpm
Shock	50 G, 11 ms (IEC 60068-2-27)
Vibration	10 G, 10 ... 2000 Hz (IEC 60068-2-6)
Moment of inertia	5 x 10 ⁻⁶ kgm ² (119 x 10 ⁻⁶ lbf ²)
Starting torque (at +20°C / +68°F)	< 0,02 Nm (2,83 Ozin)
Bearing stage material	EN-AW 2011 aluminum
Shaft material	1.4305 / AISI 303 stainless steel
Housing material	painted aluminum
Bearings	2 ball bearings
Bearings life	10 ⁹ revolutions
Operating temperature	0° ... +60°C (+32° ... +140°F)
Storage temperature	-15° ... +70°C (+5° ... +158°F)
Fixing torque for collar clamping	1,5 Nm (212 Ozin) recommended
Weight	450 g (15,87 oz)



BIT PARALLEL CONNECTIONS

Function	Binary / Gray	Cable PD	Cable PE	19 pin MA	32 pin ME
bit 1 (LSB)	B ⁰ / G ⁰	green	green	A	A
bit 2	B ¹ / G ¹	yellow	yellow	B	B
bit 3	B ² / G ²	blue	blue	C	C
bit 4	B ³ / G ³	brown	brown	D	D
bit 5	B ⁴ / G ⁴	orange or pink	orange or pink	E	E
bit 6	B ⁵ / G ⁵	white	white	F	F
bit 7	B ⁶ / G ⁶	grey	grey	G	G
bit 8	B ⁷ / G ⁷	purple	purple	H	H
bit 9	B ⁸ / G ⁸	grey / pink	grey / pink	J	J
bit 10	B ⁹ / G ⁹	white / green	white / green	K	K
bit 11	B ¹⁰ / G ¹⁰	brown / green	brown / green	L	L
bit 12	B ¹¹ / G ¹¹	white / yellow	white / yellow	M	M
bit 13	B ¹² / G ¹²	yellow / brown	yellow / brown	N	N
bit 14	B ¹³ / G ¹³	/	white / grey	/	P
bit 15	B ¹⁴ / G ¹⁴	/	grey / brown	/	R
bit 16	B ¹⁵ / G ¹⁵	/	white / pink	/	S
bit 17	B ¹⁶ / G ¹⁶	/	pink / brown	/	T
bit 18	B ¹⁷ / G ¹⁷	/	white / blue	/	U
bit 19	B ¹⁸ / G ¹⁸	/	brown / blue	/	V
bit 20	B ¹⁹ / G ¹⁹	/	white / red	/	W
bit 21	B ²⁰ / G ²⁰	/	brown / red	/	X
bit 22	B ²¹ / G ²¹	/	white / black	/	Y
bit 23	B ²² / G ²²	/	brown / black	/	Z
bit 24	B ²³ / G ²³	/	grey / green	/	a
bit 25	B ²⁴ / G ²⁴	/	yellow / pink	/	b
bit 26	B ²⁵ / G ²⁵	/	yellow / blue	/	c
bit 27	B ²⁶ / G ²⁶	/	green / blue	/	d
LATCH	/	/	yellow / grey	R	e
0 V	/	black	black	T	j
U / D	/	red / blue	red / blue	U	g
+ V DC	/	red	red	V	h
≡	/	shield	shield	S	housing

BIT PARALLEL CONNECTOR OR CABLE CHOICE

According to the resolution and the chosen number of turns is possible to calculate the connections required by the connector or the cable. From the below table is possible to know the connection number.

EXAMPLE 1:
256 PPR = 8 connections
N° turns 32 = 5 connections
Total connections 13.

EXAMPLE 2:
4096 PPR = 12 connections
N° turns 4096 = 12 connections
Total connections 24.

From 1 to 13 connections a 16 cores cable (PD) or a 19 cores connector (MA) have to be considered.

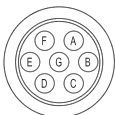
From 14 to 27 connections a 32 cores cable (PE) or a 32 cores connector (ME) have to be considered.

If LATCH is used a cable or a 32 poles connector is required.

SSI CONNECTIONS

Function	Cable PC	7 pin MC	12 pin HA	8 pin M12
+ V DC	red	G	8	8
0 V	black	F	1	5
data +	green	C	2	3
data -	brown	D	10	2
clock +	yellow	A	3	4
clock -	orange or pink	B	11	6
U / D	red / blue	E	5	7
≡	shield	housing	9	housing

MC connector (7 pin)
Amphenol MS3102-E-16-S
solder side view FV



HA connector (12 pin) - M23 CCG
Hummel 7.410.000000 -
7.002.912.603
solder side view FV



MA connector (19 pin)
Amphenol 62IN 12E 14-19 P
solder side view FV



ME connector (32 pin)
Glenair IPT 02 A 18-32 P F6
solder side view FV



M12 connector (8 pin)
M12 A coded
solder side view FV

