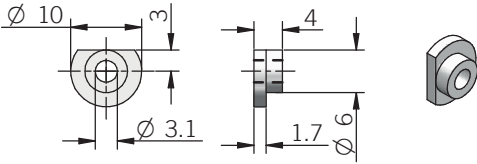
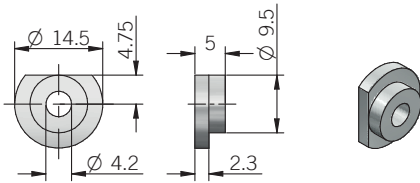


FIXING CLAMPS



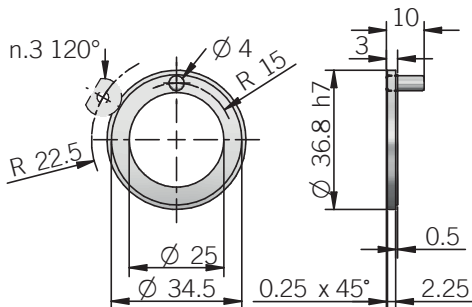
Description	P/N	Material	Scope of delivery	Applicable to model
kit n.3 fixing clamps	94080011	aluminum	n.3 fixing clamps	36B - 36K



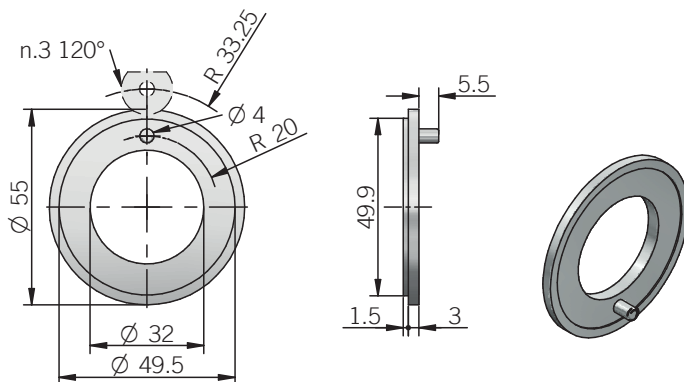
Description	P/N	Material	Scope of delivery	Applicable to model
kit n.3 fixing clamps	94080001	aluminum	n.3 fixing clamps	40A IP66 - 40N - 40X - 49C/P - 50A/B - 58B - 63A - 80A - 90A

dimensions in mm

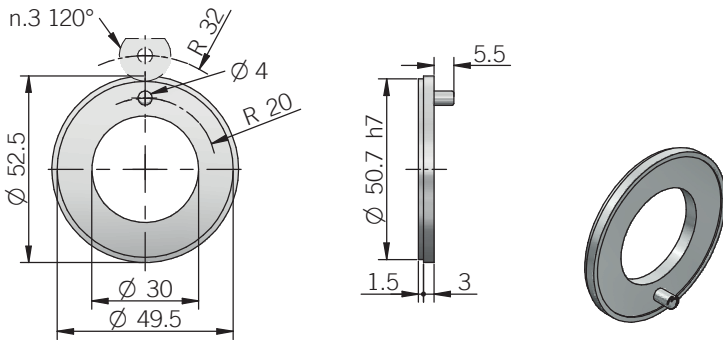
MECHANICAL FLANGES



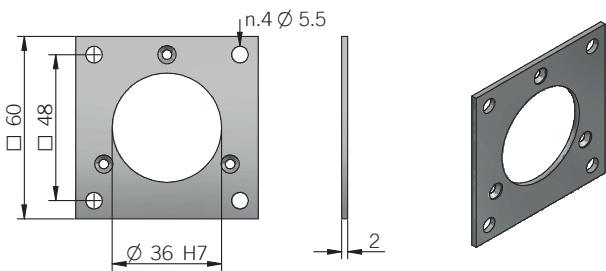
Description	P/N	Material	Scope of delivery	Applicable to model
FLG004 - resolver flange size 15	94010076	aluminum	n.1 flange	36K



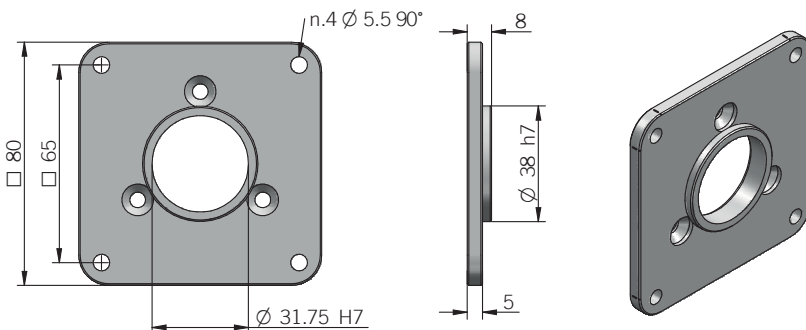
Description	P/N	Material	Scope of delivery	Applicable to model
FLG000 - resolver flange size 19 (01 version)	94010087	aluminum	n.1 flange	49C/P



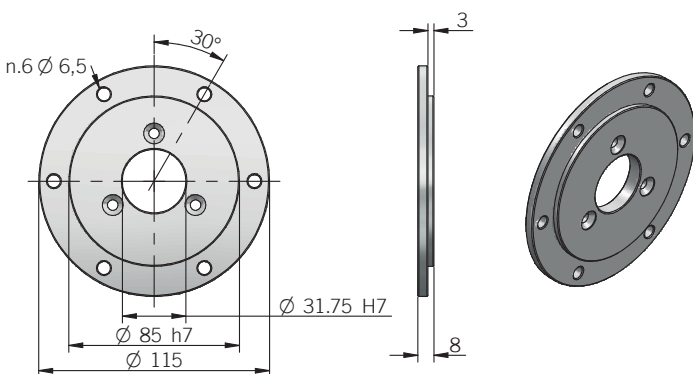
Description	P/N	Material	Scope of delivery	Applicable to model
FLG001 - resolver flange size 19 (14 version)	94010065	aluminum	n.1 flange	49C/P



Description	P/N	Material	Scope of delivery	Applicable to model
58C square flange	94990048	aluminum	n.1 58C square flange n.3 M3x6 screws	58C



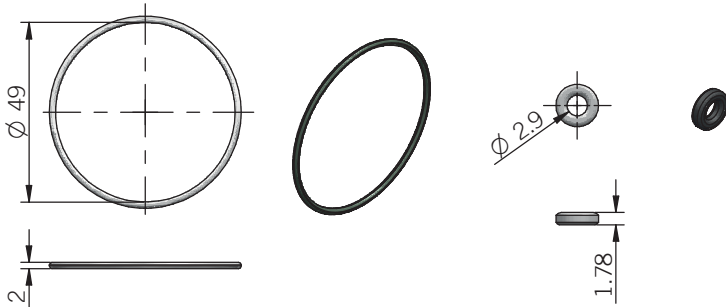
Description	P/N	Material	Scope of delivery	Applicable to model
63A square flange	94990049	aluminum	n.1 63A square flange n.3 M5x10 screws	63A



Description	P/N	Material	Scope of delivery	Applicable to model
63A RE0-444 flange	94990050	aluminum	n.1 63A RE0-444 flange n.3 M5x10 screws	63A

dimensions in mm

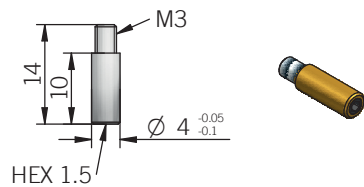
ORING KIT



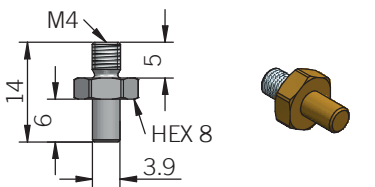
dimensions in mm

Description	P/N	Material	Scope of delivery	Applicable to model
EH30 IP54 kit	94990053	NBR	n.1 OR 49x2 n.2 OR 2012	30M - 30MH

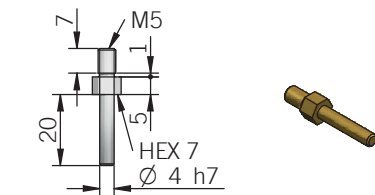
TORQUE PINS



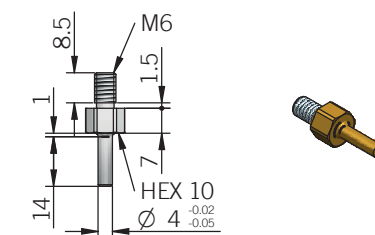
Description	P/N	Material	Scope of delivery	Applicable to model
M3 4 mm torque pin	94990067	Brass	n.1 torque pin	63F - 63FB - 63PBF - 63PCF



Description	P/N	Material	Scope of delivery	Applicable to model
M4 3.9 mm torque pin	94990079	Brass	n.2 torque pins	88PE

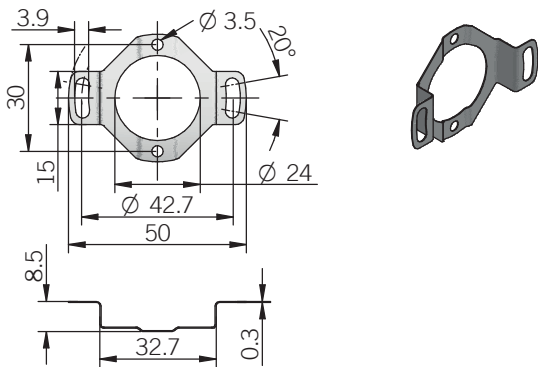


Description	P/N	Material	Scope of delivery	Applicable to model
M5 4mm torque pin	94990068	Brass	n.1 torque pin	80C - 80K - 80P - 80PG



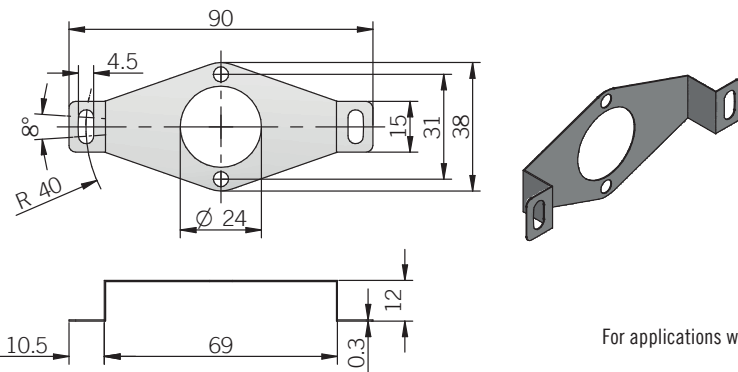
Description	P/N	Material	Scope of delivery	Applicable to model
M6 4mm torque pin	94990069	Brass	n.1 torque pin	63F - 63FB - 63PBF - 63PCF

TORQUE SUPPORT KIT



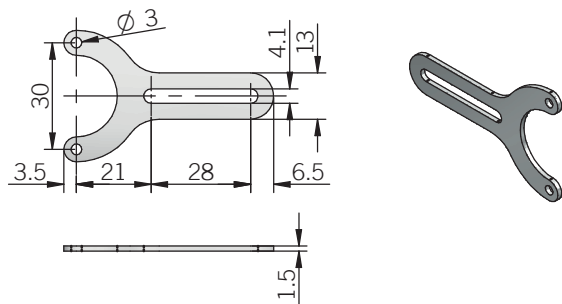
For applications with high dynamics and moderate axial play and low radial play

Description	P/N	Material	Scope of delivery	Applicable to model
∅ 42,7 mm elastic spring	94990046	1.4310 AISI 301	n.1 encoder spring n.2 M3x4 screws	38F



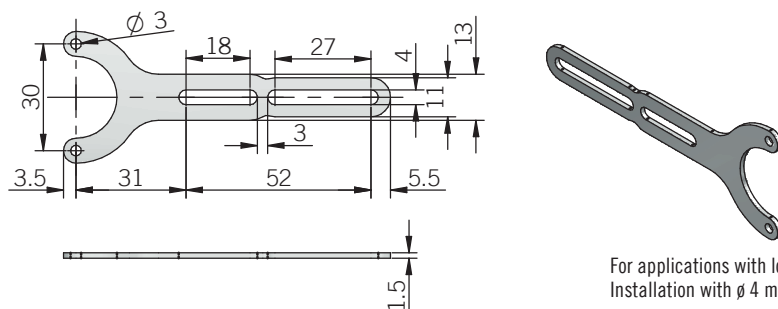
For applications with high dynamics and moderate axial play and low radial play

Description	P/N	Material	Scope of delivery	Applicable to model
∅ 80 mm elastic spring	94990047	1.4310 AISI 301	n.1 encoder spring n.2 M3x4 screws	36F - 38F



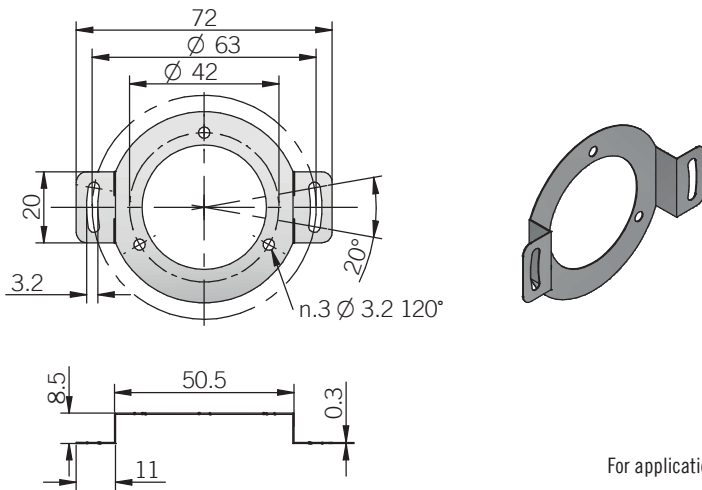
For applications with low dynamics and high axial play and low radial play.
Installation with ∅ 4 mm cylindrical pin. Do not install with rigid fixing (e.g. screw)

Description	P/N	Material	Scope of delivery	Applicable to model
38F bracket kit 21 ... 49 mm	94990054	Stainless steel	n.1 bracket n.2 M3x6 screws	36F - 38F



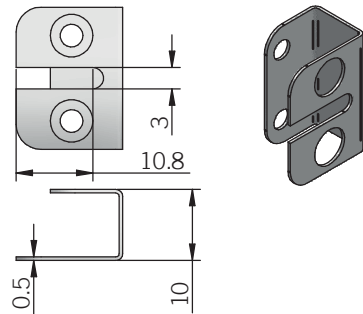
For applications with low dynamics and high axial play and low radial play.
Installation with ∅ 4 mm cylindrical pin. Do not install with rigid fixing (e.g. screw)

Description	P/N	Material	Scope of delivery	Applicable to model
38F bracket kit 31 ... 83 mm	94990045	Stainless steel	n.1 bracket n.2 M3x6 screws	36F - 38F



For applications with high dynamics and moderate axial play and low radial play

Description	P/N	Material	Scope of delivery	Applicable to model
ø 63 mm elastic spring	94990022	1.4310 / AISI 301	n.1 encoder spring n.3 M3x4 screws	63FB - 63GB - 63PB - 63PBF - 63PC - 63PCF

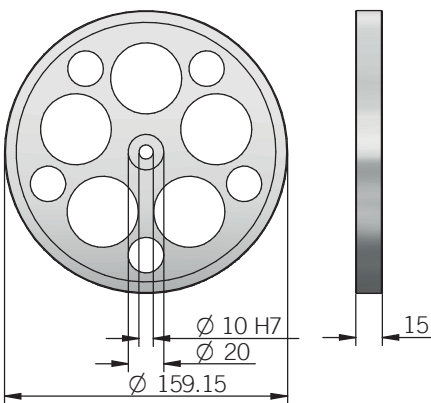


For applications with low dynamics and high axial play and low radial play. Installation with ø 3 mm cylindrical pin. Do not install with rigid fixing.

Description	P/N	Material	Scope of delivery	Applicable to model
88P-88PE torque stop kit	94990051	1.4310 / AISI 301	n.1 torque stop n.2 M3x4 screws	88P - 88PE

dimensions in mm

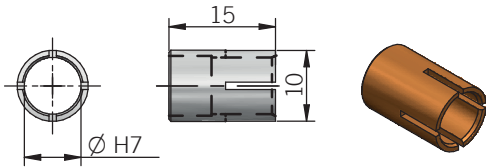
MEASURING WHEELS



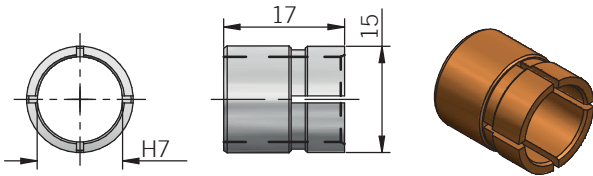
dimensions in mm

Description	P/N	Material	Scope of delivery	Applicable to model
Measuring wheel weight 260 g (9,17 oz)	94990070	aluminum	n.1 measuring wheel n.1 M5x16 screw	RL - RM 500

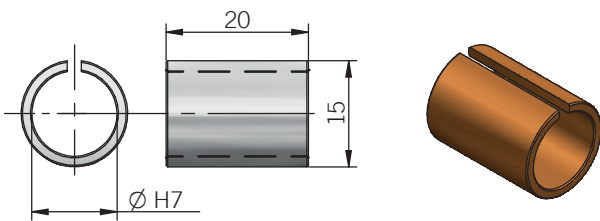
SHAFT ADAPTERS



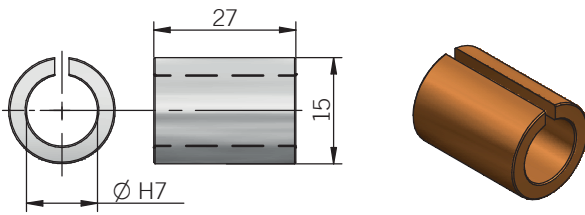
Description	P/N	Material	Scope of delivery	Applicable to model
Shaft adapter 10/8 mm	94990082	Bronze	n.1 shaft adapter	36F - 36G
Shaft adapter 10/6,35 mm (1/4")	94990083			
Shaft adapter 10/6 mm	94990084			
Shaft adapter 10/5 mm	94990085			
Shaft adapter 10/4 mm	94990086			



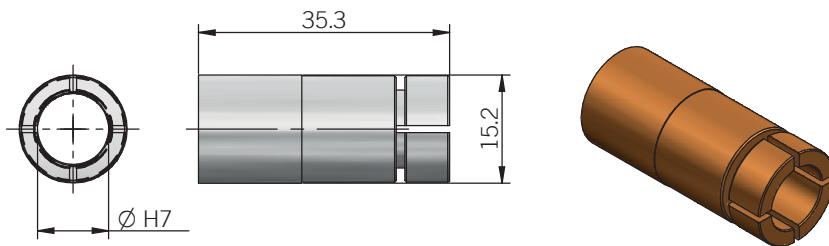
Description	P/N	Material	Scope of delivery	Applicable to model
Shaft adapter 15/12 mm	94990087	Bronze	n.1 shaft adapter	50F - 50G
Shaft adapter 15/10 mm	94990088			
Shaft adapter 15/8 mm	94990089			
Shaft adapter 15/6 mm	94990090			
Shaft adapter 15/5 mm	94990091			



Description	P/N	Material	Scope of delivery	Applicable to model
Shaft adapter 15/12 mm	94990071	Bronze	n.1 shaft adapter	EA 58F - 63F - 63G EAL 58F - 63F - 63G EAR 58F - 63F - 63G EAM 58F - 63F - 63G EAML 58F - 63F - 63G EAMR 58F - 63F - 63G
Shaft adapter 15/11 mm	94990072			
Shaft adapter 15/10 mm	94990073			
Shaft adapter 15/9,52 mm (3/8")	94990074			
Shaft adapter 15/8 mm	94990075			
Shaft adapter 15/6 mm	94990076			



Description	P/N	Material	Scope of delivery	Applicable to model
Shaft adapter 15/12 mm	94990077	Bronze	n.1 shaft adapter	AAM 58F - 58FR
Shaft adapter 15/10 mm	94990078			

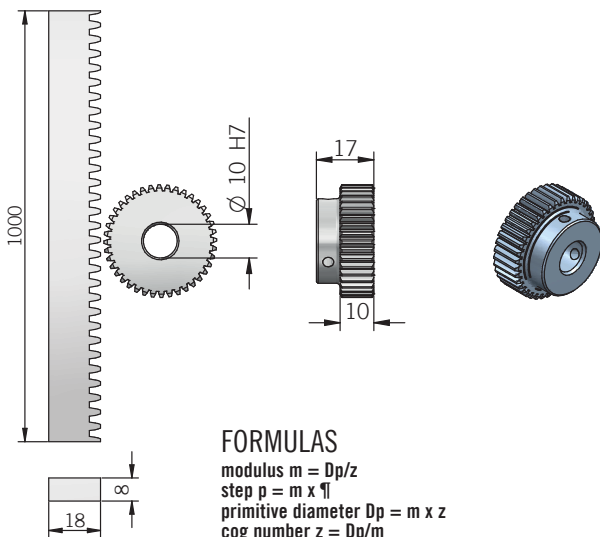


Description	P/N	Material	Scope of delivery	Applicable to model
Shaft adapter 15/12 mm	94990066	Bronze	n.1 shaft adapter	80PG
Shaft adapter 15/10 mm	94990065			

dimensions in mm, for further shaft adapter diameters please directly contact our offices

EC34 ACCESSORIES

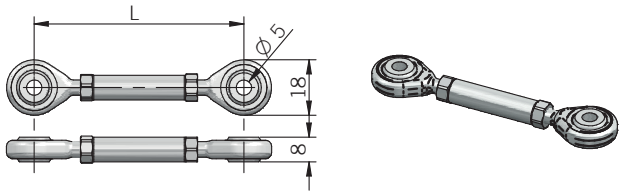
Rack and cogged wheel $p = 2,5$ $z = 40$ $m = 0,796$



dimensions in mm

Description	P/N	Material	Scope of delivery	Applicable to model
Cogged wheel $M = 0,796 / P = 2,5 / Z = 40$	94080003	C45 steel	n.1 cogged wheel	EC 34A
Rack $P = 2,5 / 1m$ length	94080012		n.1 1m P 2,5 rack	

TORQUE ARMS

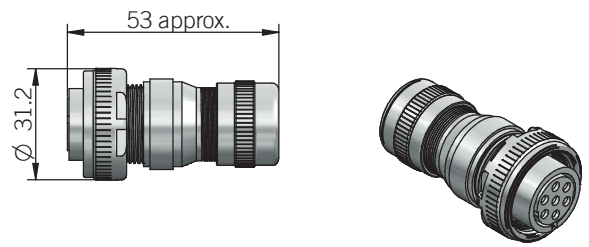


dimensions in mm

For applications with low axial and radial play

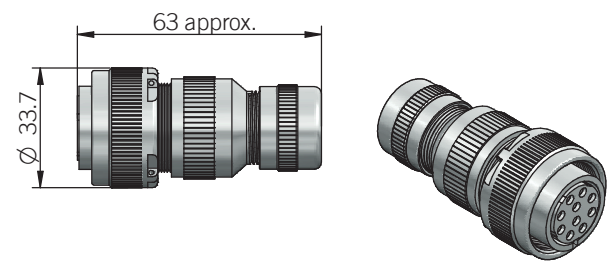
Description	P/N	Material	Scope of delivery	Applicable to model
Torque arm L = 80 MM	94010061	Steel	n. 1 torque arm n. 2 M5 x 12 UNI ISO 7380	88PET - 120P
Torque arm L = 110 MM	94010070			
Torque arm L = 140 MM	94010071			

CONNECTORS



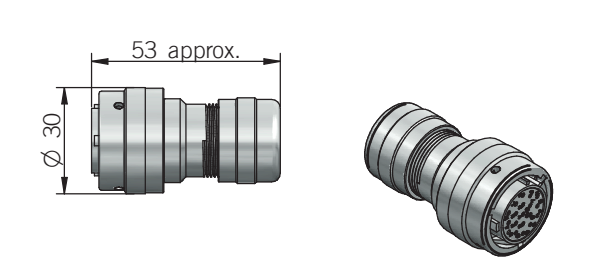
PINOUT SOLDER SIDE VIEW

Description	P/N	Material	Specifications	Scope of delivery	Mating with
CONN. M07FV Field-attachable MIL straight 7 pin - socket IP67	94990121	Metal	Solder max 1,3 mm ² / AWG 16 Cable gland range ø 5 ... 10 mm -40° ... +125°C (-40° ... +257°F)	n.1 connector	M connector (7 pin)



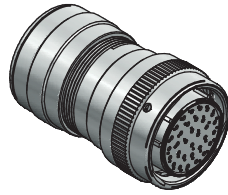
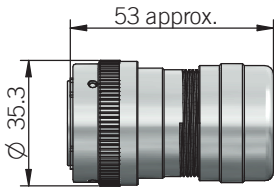
PINOUT SOLDER SIDE VIEW

Description	P/N	Material	Specifications	Scope of delivery	Mating with
CONN. M10FV Field-attachable MIL straight 10 pin - socket IP67	94990119	Metal	Solder max 1,3 mm ² / AWG 16 Cable gland range ø 5 ... 10 mm -40° ... +100°C (-40° ... +212°F)	n.1 connector	M connector (10 pin)



PINOUT SOLDER SIDE VIEW

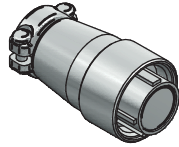
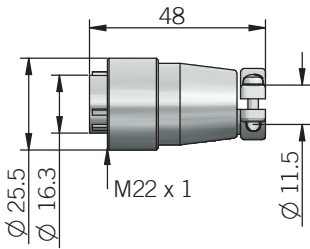
Description	P/N	Material	Specifications	Scope of delivery	Mating with
CONN. M19FV Field-attachable MIL straight 19 pin - socket IP67	94990123	Metal	Solder max 0,5 mm ² / AWG 20 Cable gland range ø 5 ... 10 mm -40° ... +125°C (-40° ... +257°F)	n.1 connector	M connector (19 pin)



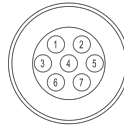
PINOUT SOLDER SIDE VIEW



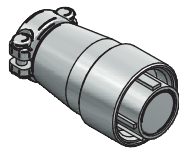
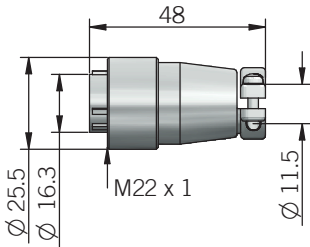
Description	P/N	Material	Specifications	Scope of delivery	Mating with
CONN. M32FV Field-attachable MIL straight 32 pin - socket IP67	94990128	Metal	Screw max 0,5 mm ² / AWG 20 Cable gland range ø 9 ... 15 mm -40° ... +125°C (-40° ... +257°F)	n.1 connector	M connector (32 pin)



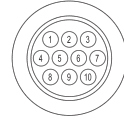
PINOUT SOLDER SIDE VIEW



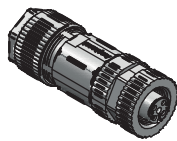
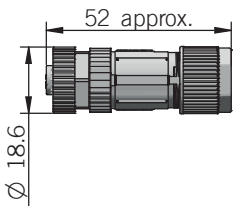
Description	P/N	Material	Specifications	Scope of delivery	Mating with
CONN. J07FV Field-attachable J07 straight 7 pin JIS-C-5432 - socket IP40	94990131	Metal / Plastic	Solder max ø 1,5 mm -25° ... +85°C (-13° ... +185°F)	n.1 connector	J connector (7 pin)



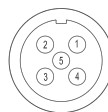
PINOUT SOLDER SIDE VIEW



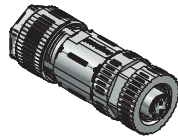
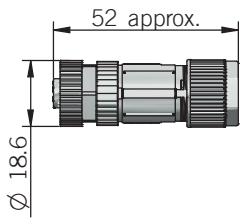
Description	P/N	Material	Specifications	Scope of delivery	Mating with
CONN. J10FV Field-attachable J10 straight 10 pin JIS-C-5432 - socket IP40	94990133	Metal / Plastic	Solder max ø 1 mm -25° ... +85°C (-13° ... +185°F)	n.1 connector	J connector (10 pin)



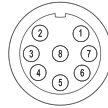
PINOUT SOLDER SIDE VIEW



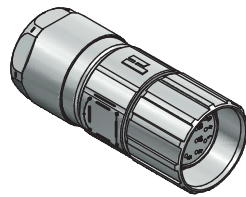
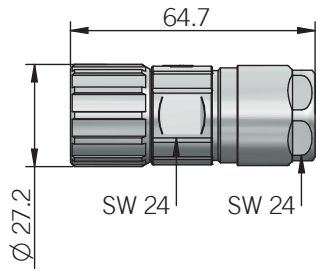
Description	P/N	Material	Specifications	Scope of delivery	Mating with
CONN. M12FV 5P Field-attachable M12 straight 5 pin A-coded socket IP67	94990117	Metal	Screw max 0,75 mm ² / AWG 18 Cable gland range ø 4 ... 7 mm -40° ... +85°C (-40° ... +185°F)	n.1 connector	M12 connector (5 pin) - A coded



PINOUT SOLDER SIDE VIEW



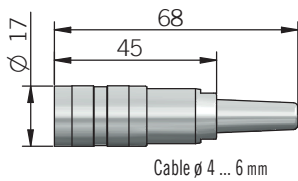
Description	P/N	Material	Specifications	Scope of delivery	Mating with
CONN. M12FV 8P Field-attachable M12 straight 8 pin A-coded socket IP67	94990118	Metal	Screw max 0,75 mm ² / AWG 18 Cable gland range ϕ 4 ... 7 mm -40° ... +85°C (-40° ... +185°F)	n.1 connector	M12 connector (8 pin) - A coded



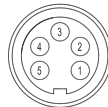
PINOUT SOLDER SIDE VIEW



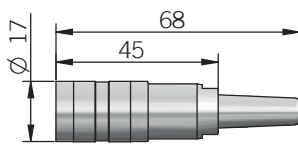
Description	P/N	Material	Specifications	Scope of delivery	Mating with
CONN. H12FV CCW Field-attachable M23 straight 12 pin socket IP67	94990137	Metal	Solder max ϕ 1 mm Cable gland range ϕ 3 ... 7 mm -40° ... +125°C (-40° ... +257°F)	n.1 connector	H connector (12 pin) - M23 CCW



PINOUT SOLDER SIDE VIEW



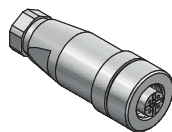
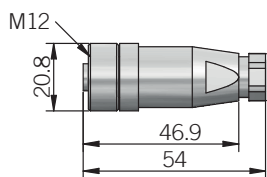
Description	P/N	Material	Specifications	Scope of delivery	Mating with
CONN. C05FV Field-attachable C091 M16 straight 5 pin - socket IP40	94990135	Metal / Plastic	Screw max 0,5 mm ² / AWG 20 Cable range ϕ 4 ... 6 mm -40° ... +100°C (-40° ... +212°F)	n.1 connector	C connector (5 pin)



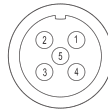
PINOUT SOLDER SIDE VIEW



Description	P/N	Material	Specifications	Scope of delivery	Mating with
CONN. C08FV Field-attachable C091 M16 straight 8 pin IEC 60130-9 - socket IP40	94990142	Metal / Plastic	Screw max 0,5 mm ² / AWG 20 Cable range ϕ 4 ... 6 mm -40° ... +100°C (-40° ... +212°F)	n.1 connector	C connector (8 pin)

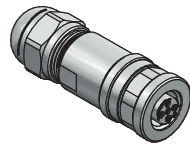
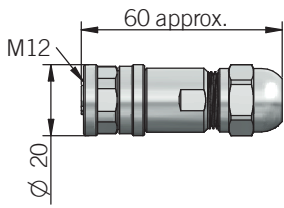


PINOUT SOLDER SIDE VIEW

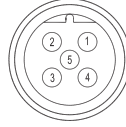


Description	P/N	Material	Specifications	Scope of delivery	Applicable to model
CONN. M12FV 5P PLASTIC Field-attachable M12 straight 5 pin A-coded socket - IP67	94990114	Plastic	Screw max 0,75 mm ² / AWG 18 Cable gland range ϕ 3,5 ... 6 mm -40° ... +90°C (-40° ... +194°F)	n.1 connector	FXX - PFN - ETC POWER connector

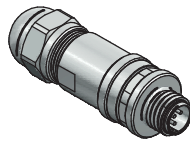
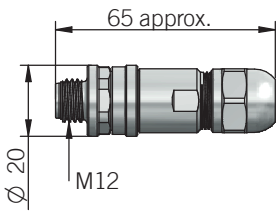




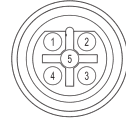
PINOUT SOLDER SIDE VIEW



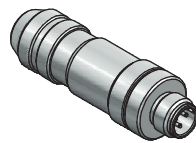
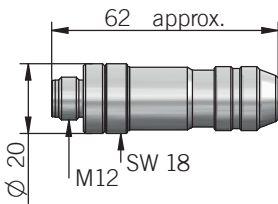
Description	P/N	Material	Specifications	Scope of delivery	Applicable to model
CONN. M12 FV PROFIBUS Field-attachable M12 straight 5 pin B-coded socket - IP67	94990144	Metal	Screw max 0,75 mm ² / AWG 18 Cable gland range ø 4 ... 9 mm -25° ... +90°C (-13° ... +194°F)	n.1 connector	FXX BUS IN connector



PINOUT SOLDER SIDE VIEW



Description	P/N	Material	Specifications	Scope of delivery	Applicable to model
CONN. M12MV PROFIBUS Field-attachable M12 straight 5 pin B-coded plug - IP67	94990145	Metal	Screw max 0,75 mm ² / AWG 18 Cable gland range ø 4 ... 9 mm -25° ... +90°C (-13° ... +194°F)	n.1 connector	FXX BUS OUT connector



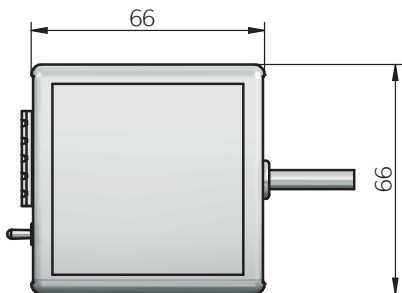
PINOUT SOLDER SIDE VIEW



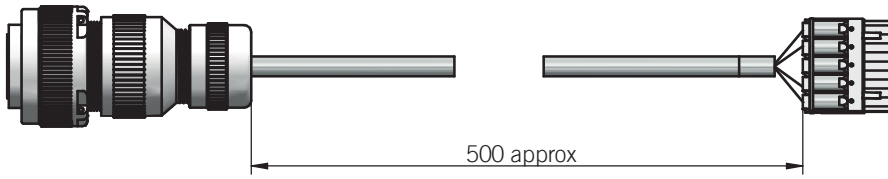
Description	P/N	Material	Specifications	Scope of delivery	Applicable to model
CONN. M12MV ETHERNET Field-attachable M12 straight 4 pin D-coded plug - IP67	94990115	Metal	Screw max 0,75 mm ² / AWG 18 Cable gland range ø 6 ... 8 mm -40° ... +85°C (-40° ... +185°F)	n.1 connector	PFN - ETC I/O connector

IP rating when plugged with proper cable, dimensions in mm

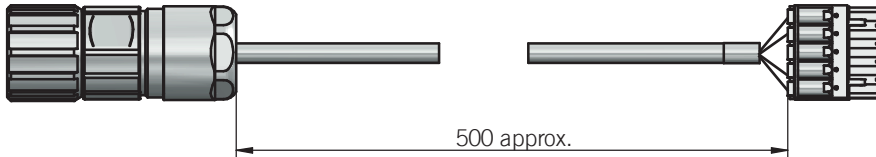
EMIP ACCESSORIES



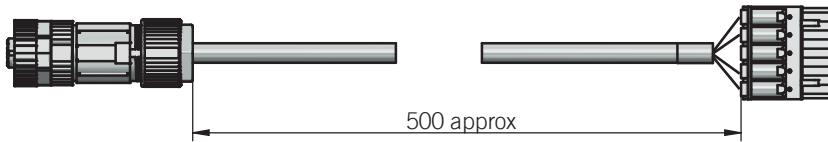
Description	P/N	Material	Scope of delivery	Applicable to model
UPT-001 USB tool for PC programming	94990170	Plastic	Programmer box with USB cable (length 1,8m) n.2 push-in connectors	EMIP



Description	P/N	Material	Scope of delivery	Applicable to model
UPT-001 M10 cable adapter	94030308	Metal	n.1 M10 socket with cable and push-in connector	EMIP



Description	P/N	Material	Scope of delivery	Applicable to model
UPT-001 H12 (M23) cable adapter	94030307	Metal	n.1 H12 socket with cable and push-in connector	EMIP



Description	P/N	Material	Scope of delivery	Applicable to model
UPT-001 M12 cable adapter	94030310	Metal	n.1 M12 socket with cable and push-in connector	EMIP

dimensions in mm