

**MAIN FEATURES**

USB tool for PC programming of several encoder parameters.

- USB powered, no external power supply required
- Easy and intuitive PC interface
- Wire to connector adapters available as accessories
- Support printing of QRCode labels
- Supporting Windows 7, 8.1, 10, 11
- Suitable for EMIP encoder series

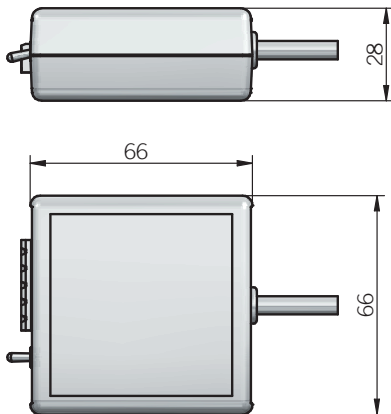


**ORDERING CODE**

**UPT - 001**

<b>SERIES</b>	USB programming tool <b>UPT</b>
<b>VERSION</b>	model version <b>001</b>

**DIMENSIONS**



dimensions in mm

**SPECIFICATIONS**

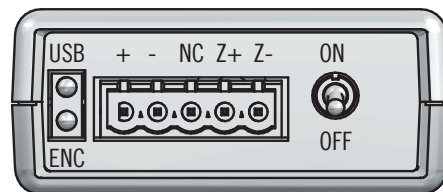
<b>Ordering part number</b>	94990170
<b>Power supply</b>	USB type A
<b>Operating system</b>	Microsoft Windows 7, 8.1, 10, 11
<b>Operating temperature</b>	-10° ... +40°C (14° ... +104°F)
<b>Weight</b>	150 g (5,29 oz)
<b>Electromagnetic compatibility</b>	according to 2014/30/EU directive - UK SI 2016/1091
<b>RoHS</b>	according to 2011/65/EU directive - UK SI 2012/3032
<b>Scope of delivery</b>	Programmer box with USB cable (length 1,8m) n.2 push-in connectors (Phoenix Contact mod. FKC 2,5/ 5-ST-5,08)

**ENCODER TO PROGRAMMER BOX CONNECTIONS**

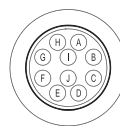
Function	Cable	10 pin M	8 pin M12	12 pin H
+	red	D - E	7	12
-	black	F	1	10
Z+	blue	C	2	3
Z-	white	I	8	4

**ACCESSORIES**

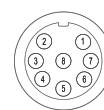
Description	P/N
UPT-001 M10 cable adapter	94030308
UPT-001 M12 cable adapter	94030310
UPT-001 H12 (M23) cable adapter	94030307



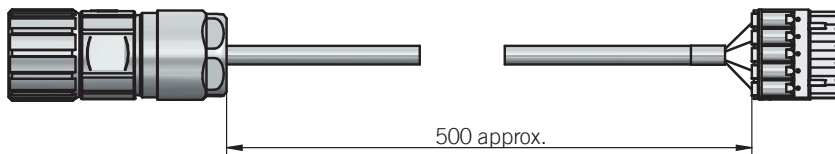
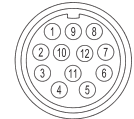
M connector (10 pin)  
Amphenol MS3102-E-18-1  
front view



M12 connector (8 pin)  
M12 A coded  
front view



H connector (12 pin)  
M23 CCW  
front view



Cable adapter example, dimensions in mm