

MAIN FEATURES

Standard \varnothing 58 mm encoder series for industrial applications with high mechanical resistance requirements. These encoders are designed to support high radial and axial shaft load and they can be mounted by means of flanges or fixing clamps.

- 3 channel encoder (A / B / Z) up to 10000 ppr based on innovative magnetic ASIC
- Power supply up to +30 V DC with several electrical interfaces available
- Up to 800 kHz output frequency
- Cable or connector output
- Available with metal cover for heavy duty applications
- Solid shaft diameter up to 12 mm
- Mounting by synchronous, clamping or coupling flange



ORDERING CODE

EMI 58C M* 500 S 5/30 P 8 X X M R .162 +XXX

SERIES
magnetic incremental encoder series **EMI**

MODEL
synchronous flange \varnothing 50 mm **58B**
clamping flange \varnothing 36 mm **58C**
clamping flange \varnothing 50 mm **58H**
coupling flange \varnothing 40 mm **58T**

METAL COVER
* add for metal cover **M**

RESOLUTION
ppr from 1 to 10000
please refer to the preferred resolutions list

ZERO PULSE
without zero pulse **S**
with zero pulse **Z**

POWER SUPPLY
(with L electrical interface) 5 V DC **5**
5 ... 30 V DC **5/30**

ELECTRICAL INTERFACE
NPN open collector **C**
push-pull **P**
line driver **L**
power supply 5/30 V DC - output RS-422 **RS**

SHAFT DIAMETER
(mod. B) mm **6**
(mod. C) mm **8**
(mod. B / C / H) (3/8") mm **9,52**
mm **10**
(mod. T) mm **12**

ENCLOSURE RATING
IP 54 **X**
(mod. B / C / T) IP 66 **S**

OPTION
to be reported **X**

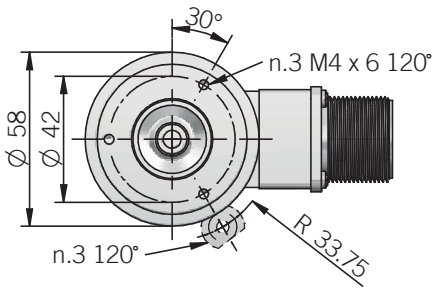
OUTPUT TYPE
cable (standard length 1.5 m) **P**
preferred cable lengths 2 / 3 / 5 / 10 m, to be added after DIRECTION TYPE (eg. PR5)
MIL plug connector **M**
JIS-C-5432 plug connector **J**
M12 plug connector **M12**
M23 plug connector **H**
M16 plug connector **C**

DIRECTION TYPE
axial **A**
radial **R**

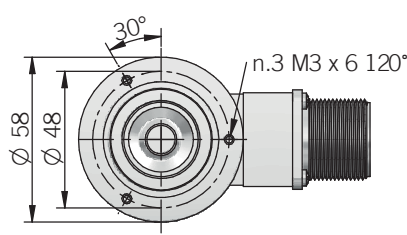
SOCKET
socket not included **.162**
to be reported only with connector output (eg. MR.162), for socket see Accessories

VARIANT
custom version **+XXX**

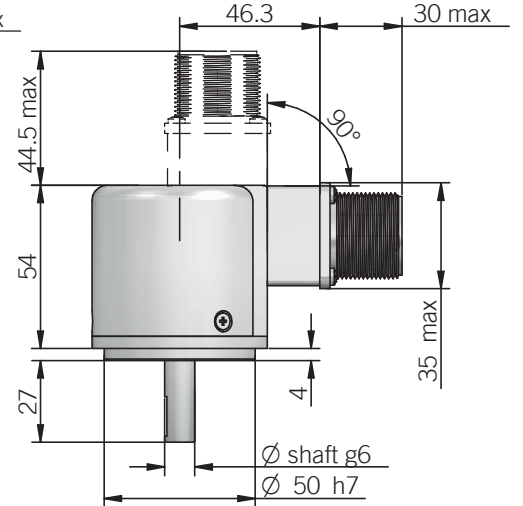
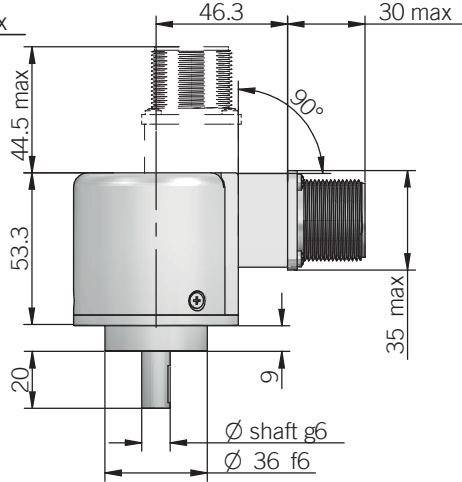
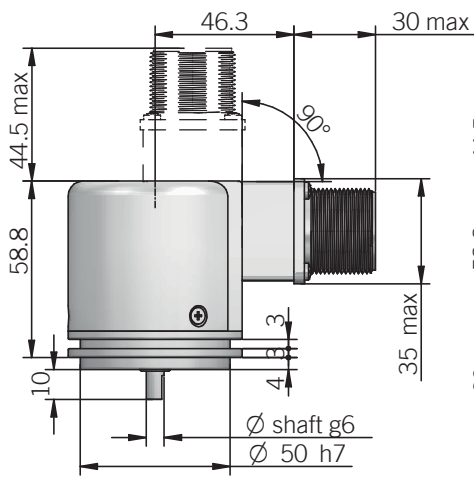
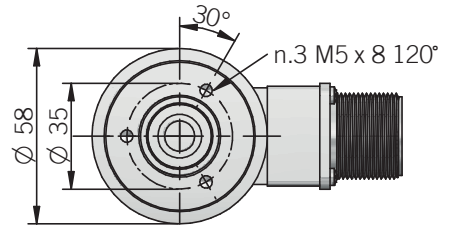
58B



58C

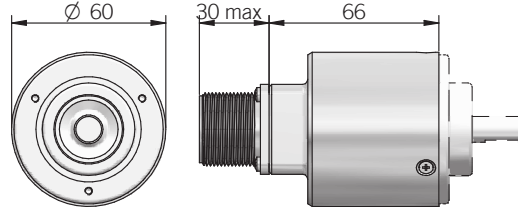


58H

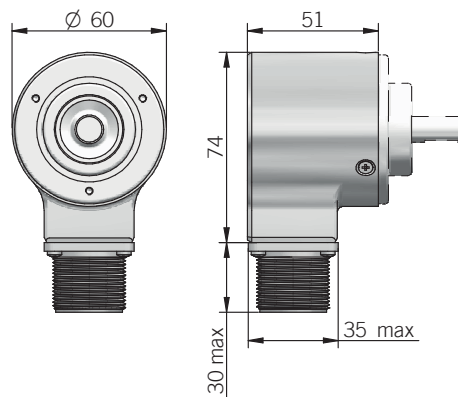


fixing clamps not included, please refer to Accessories

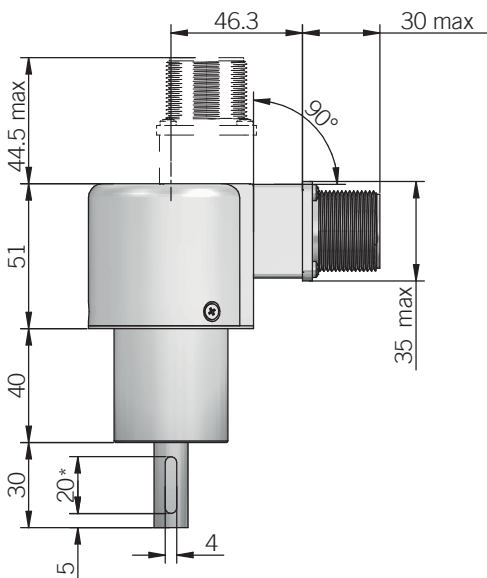
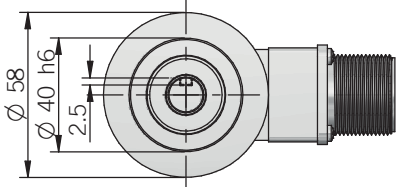
DIMENSION WITH METAL COVER AND AXIAL OUTPUT



DIMENSION WITH METAL COVER AND RADIAL OUTPUT



58T



* slot only with 12 mm shaft diameter

recommended mating shaft tolerance H7
dimensions in mm

ELECTRICAL SPECIFICATIONS	
Resolution	from 1 to 10000 ppr
Power supply¹	5 = 4,5 ... 5,5 V DC 5/30 = 4,5 ... 30 V DC (reverse polarity protection)
Power draw without load typical	0,4 W
Max load current	C / P = 50 mA / channel L / RS = 20 mA / channel
Electrical interface²	NPN open collector (AEIC-7273, pull-up max +30 V DC) push-pull / line driver HTL (AEIC-7272 or similar) line driver RS-422 (AELT-5000 or similar)
Max output frequency	800 kHz
Counting direction	A leads B clockwise (shaft view)
Index signal	180°e (gated A)
Startup time typical	10 ms
Accuracy	< 0,3° at +20°C (+68°F) ± 0,5° in the operating temperature range
Hysteresis	0,70° up to 256 ppr 0,35° from 257 ppr to 10000 ppr
Mean time to dangerous failure (MTTF_d)³ according to EN ISO 13849-1	275 years
Mission time (Tm)³	20 years
Diagnostic coverage (DC)³	0%
Cable type	shielded - fixed installation conductors section 0,22 mm ² / AWG 24 bending radius min 60 mm
Electromagnetic compatibility	according to 2014/30/EU directive
RoHs	according to 2011/65/EU directive
UL / CSA	file n. E212495

MECHANICAL SPECIFICATIONS	
Shaft diameter	∅ 6 / 8 / 9,52 (3/8") / 10 / 12 mm
Enclosure rating IEC 60529	X = IP 54 S = IP 66
Max rotation speed	6000 rpm
Max shaft load⁴	10 N (2,25 lbs) axial with ∅ 6 mm shaft 20 N (4,45 lbs) radial with ∅ 6 mm shaft 200 N (45 lbs) axial / radial
Shock	50 G, 11 ms (IEC 60068-2-27)
Vibration	10 G, 10 ... 2000 Hz (IEC 60068-2-6)
Moment of inertia	1,5 x 10 ⁻⁶ kgm ² (36 x 10 ⁻⁶ lbf ²)
Starting torque (at +20°C / +68°F)	< 0,02 Nm (2,83 Ozin) with X enclosure rating < 0,06 Nm (8,50 Ozin) with S enclosure rating
Bearing stage material	aluminum
Shaft material	stainless steel
Housing material	PA66 glass fiber reinforced / painted aluminum
Bearings	n.2 ball bearings
Bearings life	10 ⁹ revolutions
Operating temperature^{5, 6}	-25° ... +100°C (-13° ... +212°F) -25° ... +85°C (-13° ... +185°F) with M12 connector
Storage temperature⁶	-25° ... +70°C (-13° ... +158°F)
Weight	350 g (12,35 oz) 450 g (15,87 oz) with metal cover

¹ as measured at the transducer without cable influences
² for further details refer to OUTPUT LEVELS on TECHNICAL BASICS section
³ this product is not a safety component, for further details refer to TECHNICAL BASICS section
⁴ maximum load for static usage
⁵ measured on the transducer flange
⁶ condensation not allowed

PREFERRED RESOLUTIONS	
2 - 4 - 5 - 6 - 8 - 10 - 12 - 16 - 20 - 30 - 40 - 50 - 60 - 80 - 90 - 100 - 125 - 128 - 200 - 250 - 256 - 360 - 400 - 500 - 512 - 720 - 1000 - 1024 - 1440 - 2000 - 2048 - 3600 - 4096 - 5000 - 7200 - 10000	

please directly contact our offices for other pulses

CONNECTIONS

Function	Cable C / P	Cable L / RS	7 pin J C / P	7 pin J L / RS no Zero	7 pin M C / P	7 pin M L / RS no Zero	10 pin J L / RS with Zero	10 pin M L / RS with Zero	5 pin M12 C / P	8 pin M12 L / RS	12 pin H	5 pin C C / P	8 pin C L / RS
+V DC	red	red	6	4	F	D	4 - 5	D - E	2	7	12	5	7
0 V	black	black	1	6	A	F	6	F	4	1	10	1	8
A+	green	green	3	1	C	A	1	A	3	6	5	2	1
A-	/	brown or grey	/	3	/	C	7	G	/	5	6	/	2
B+	yellow	yellow	5	2	E	B	2	B	1	4	8	4	3
B-	/	orange	/	5	/	E	8	H	/	3	1	/	4
Z+	blue	blue	4	/	D	/	3	C	5	2	3	3	5
Z-	/	white	/	/	/	/	9	I	/	8	4	/	6
≡	shield	shield	7	7	G	G	10	J	housing ¹	housing ¹	9	housing ¹	housing ¹

